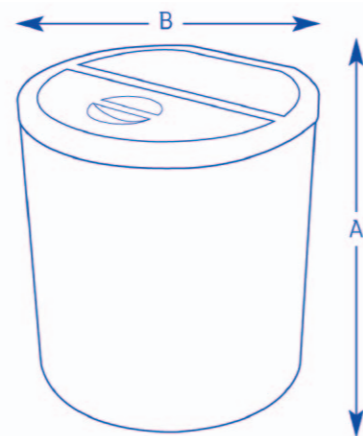
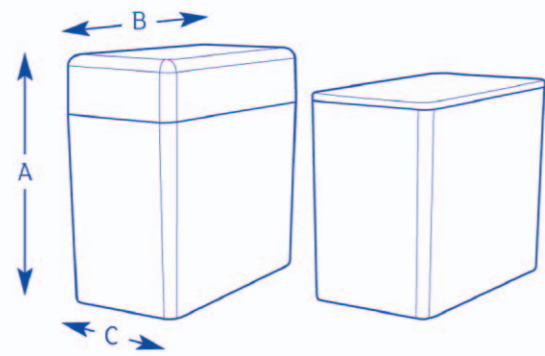


Technical Specifications:

	Major	Big Blue
Inlet/Outlet connections	1" bsp male with ¾" adaptors	1" bsp male with ¾" adaptors
Drain	½" hose spigot	½" hose spigot
Overflow	½" hose spigot	½" hose spigot
Maximum working pressure	8 bar (6 bar daytime)	8 bar (6 bar daytime)
Minimum working pressure	1 bar dynamic	1 bar dynamic
Maximum working temperature	20°C	20°C
Minimum working temperature	Protect from freezing	Protect from freezing
Salt storage	20kgs	65kgs
Salt used per regeneration	0.9 - 1.3kg	1.3 - 1.6kg
Water used per regeneration	37 litres	50 litres
Regeneration time	20 minutes	20 minutes
Maximum flow rate	80 L/min	80 L/min
Pressure loss	< 0.6 bar at 30 L/min	< 0.6 bar at 30 L/min
Maximum daily capacity @ 300ppm	6,444 litres	10,020 litres



Major

	Softener	Salt Cabinet
A: Height	500mm (19 ¾")	390mm (15 ½")
B: Depth	440mm (17 ½")	440mm (17 ½")
C: Width	250mm (10")	250mm (10")
Inlet/Drain Height	385mm (15 ¼")	-
Outlet Height	465mm (18 ¼")	-
Overflow Height	-	265mm (10 ½")

Big Blue

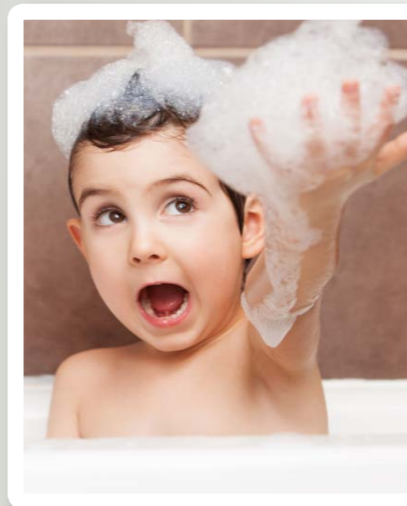
A: Height	660mm (26")
B: Diameter	590mm (23 ¼")
Inlet/Drain Height	525mm (20 ¾")
Outlet Height	600mm (23 ¾")
Overflow Height	410mm (16 ¼")

minimax

minimax

HIGH CAPACITY WATER SOFTENERS

THE MINIMAX RANGE OF HIGH CAPACITY WATER SOFTENERS



Manufactured in Britain to BSI 14743:2005



Powerful, Reliable, Efficient.

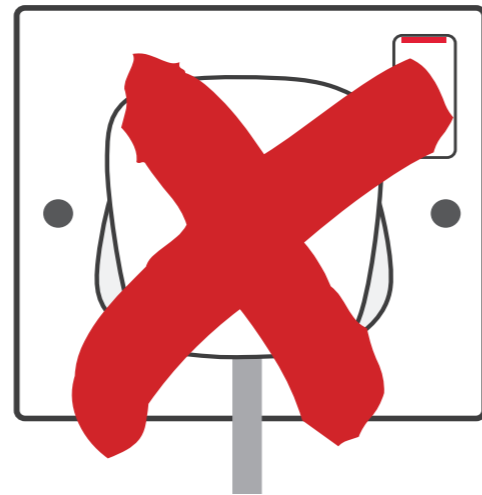


Making water softening simple



Twin Cylinders

- Compact design, powerful performance
- No programming or adjustments required
- All moving parts work in soft water so less maintenance
- Soft water 24/7, no down time



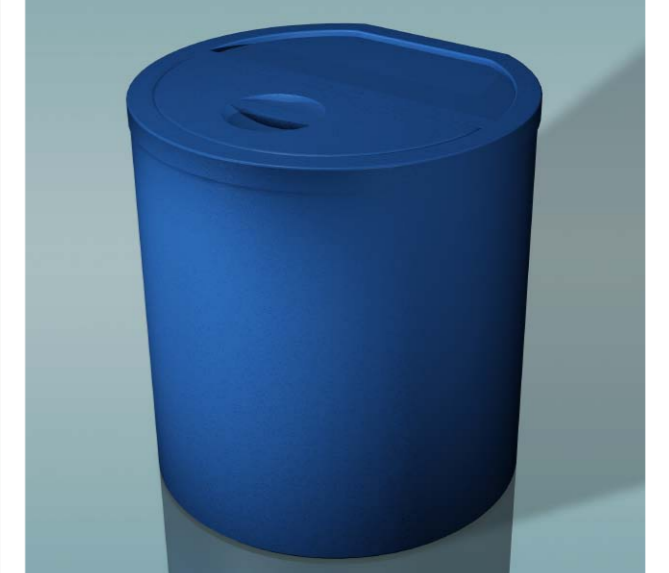
Non-electric Technology

- No need for a mains power point
- Will not be affected by power cuts
- No timers, clocks, motors or programming



Minimax Major

The Major has been designed to deal with the demands of a large modern home or business. It is compact enough to fit inside kitchen units due to a twin cabinet design. The softener sits in one cabinet and a small tube connects it to the salt cabinet. With peak flow rates of 80 litres per minute, a pressure drop of <math><0.6\text{ Bar}</math> (at 30 litres per minute), and a daily capacity of over 6000 litres at 300ppm, it is likely to surpass your needs.



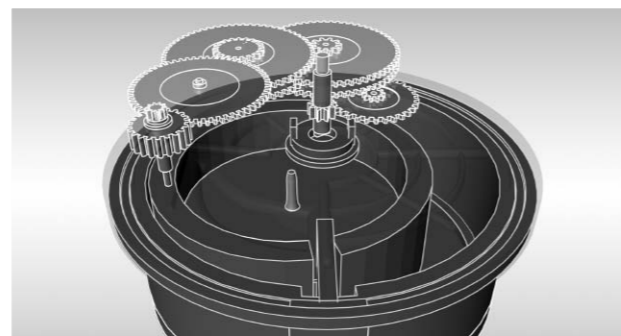
The Big Blue

The Big Blue really is the ultimate high capacity water softener. The Big Blue has a larger cabinet that holds over 65kgs of salt, so it doesn't need refilling as often. What's more, it makes room for taller resin cylinders which gives a greater capacity (over 10,000 litres per day at 300ppm). Please ask for advice on which model you require.



High Flow Rates

- Suitable for all British plumbing systems
- 1" high flow connections
- Flow rates up to 80 litres per minute



Accurate Meter Control

The meter of a water softener can be likened to the engine of a car. The better the meter, the better the softener can perform. The Minimax range is unique in its design, and is fitted with two displacement meters. With pinpoint accuracy, they easily measure from a dripping tap all the way up to the highest flow rates of a domestic plumbing system. Other softeners are fitted with paddle wheel meters, which means that trickle flow, or creeping hard water, is an inconvenient problem home owners often have to live with.

What our customers say:

"It's an excellent water softener, no more lime scale anywhere in the bar or kitchen, very low salt usage and it's great to have no clocks or servicing to worry about,"

Peter Clohessey, Croakers Bar and Restaurant

"We had a look at a number of companies and went with a Minimax. No problems at all with the lime scale and we're delighted with the results."

Robert Jones, Windmill Nursing Home



For your free home survey please contact us now:

Softener Supplies
Hiple Street, Old Woking
Surrey GU22 9LQ
www.minimax.co.uk